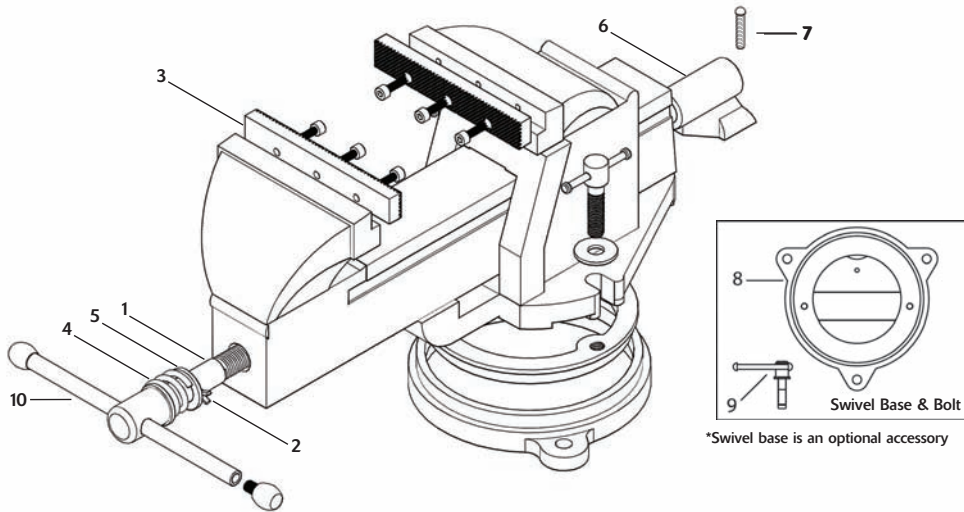


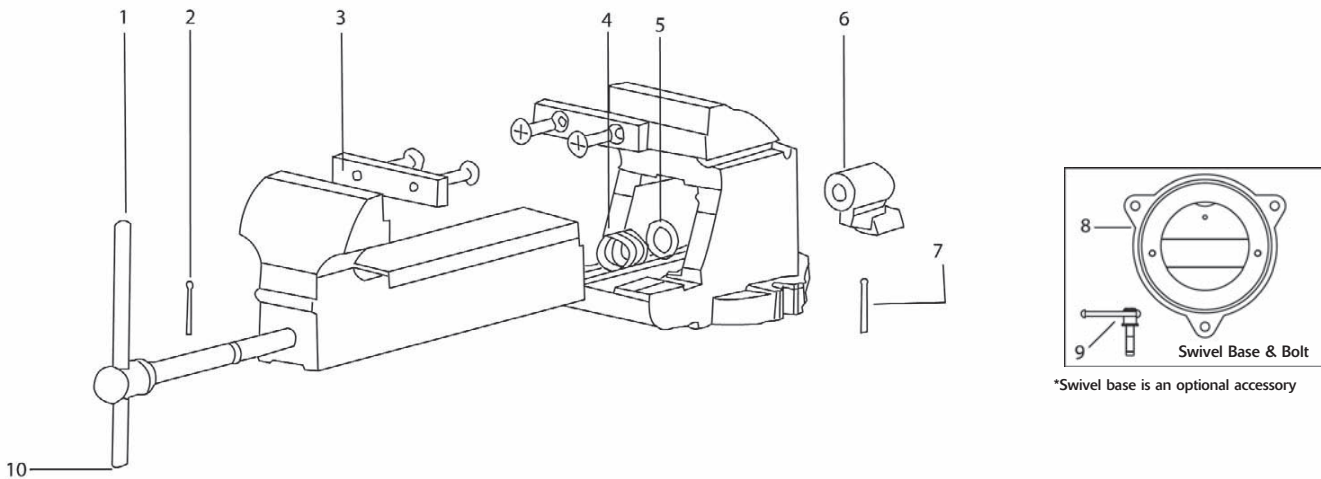
REPLACEMENT PARTS



*Swivel base is an optional accessory

Mechanics' Vise Replacement Parts - For Ductile Iron Series Vises (VS3A thru VS8A)

Jaw Width	1 Lead Screw Part No.	2 Split Pin Part No.	3 Jaws Part No.	4 Spring Part No.	5 Washer Part No.	6 Nut Part No.	7 Retaining Screw Part no.	8 Swivel Base Part No.	9 Bolt Part No.	10 Handle Part No.
4"	03-SCR	03-PIN	03-JAW	03-SPR	03-WSH	03-NUT	03-RTP	SWB3A	03-BLT	03-HDL
4.5"	04-SCR	04-PIN	04-JAW	04-SPR	04-WSH	04-NUT	04-RTP	SWB4A	04-BLT	04-HDL
5"	05-SCR	05-PIN	05-JAW	05-SPR	05-WSH	05-NUT	05-RTP	SWB5A	05-BLT	05-HDL
6"	06-SCR	06-PIN	06-JAW	06-SPR	06-WSH	06-NUT	06-RTP	SWB6A	06-BLT	06-HDL
8"	08-SCR	08-PIN	08-JAW	08-SPR	08-WSH	08-NUT	08-RTP	SWB8A	08-BLT	08-HDL



*Swivel base is an optional accessory

Mechanics' Vises Replacement Parts - For Cast Iron Vises Series Vises (VS3 THRU VS8)

Jaw Width	1 Lead Screw Part No.	2 Split Pin Part No.	3 Jaws Part No.	4 Spring Part No.	5 Washer Part No.	6 Nut Part No.	7 Retaining Screw Part no.	8 Swivel Base Part No.	9 Bolt Part No.	10 Handle Part No.
4"	03-00040-01	05-10860-00	04-00376-01	05-10702-00	05-10371-00	04-00340-00	04-00378-00	SWB3	05-14732-01	04-00366-03
4.5"	03-00150-00	05-10860-00	04-00383-01	05-10702-00	05-10371-00	04-00340-00	04-00386-00	SWB4	05-14732-02	04-00366-03
5"	03-00151-00	05-10861-00	04-00391-01	05-10704-00	05-10373-00	04-00341-00	04-00386-00	SWB5	05-14732-02	04-00366-03
6"	03-00152-00	05-10861-00	04-00397-01	05-10704-00	05-10373-00	04-00341-00	04-00386-00	SWB6	05-14732-03	04-00332-00
8"	03-00153-00	05-10861-00	04-00467-01	05-10704-00	05-10373-00	04-00341-00	04-00386-00	SWB6	05-14732-03	04-00332-00

The repairing a cast iron vise (VS3 thru VS8) the nut and screw should both replaced in the event either component is repaired.